

7 SEE SHEETS 2 AND 3 FOR OTHER KEY ARRANGEMENTS.

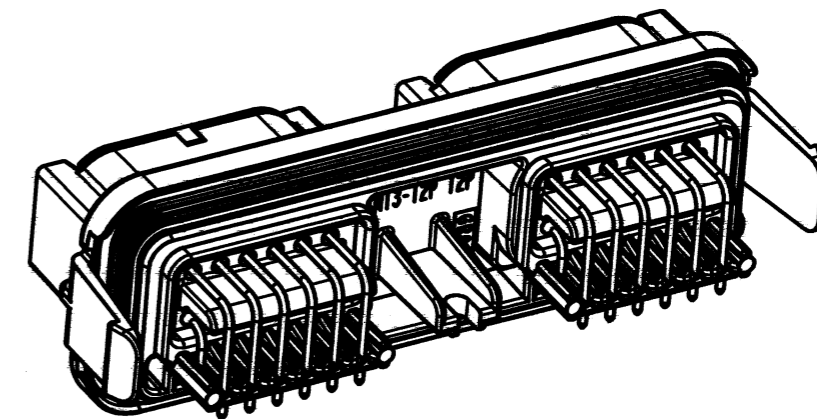
6. THIS RECEPTACLE IS USED WITH EEC-325X4(A OR B) ENCLOSURE. SEE ENVELOPE DRAWING EEC-325X4A/EEC-325X4B FOR ENCLOSURE INFORMATION.

- 5. THIS RECEPTACLE MATES WITH DTM06-12S*-**** PLUG, 2 REQD. (* = A,B,C,D KEYS; **** = ALL MODIFICATIONS).
- 4. MATERIAL - PLASTIC (BLACK); SEALS: RUBBER.
- 3. CONTACT PLATING - MATING SIDE: GOLD; PCB SIDE: TIN (-GR01 MOD).
- 2. DIMENSION TOLERANCE: ±.64 [0.025].
- 1. DIMENSIONS ARE IN MILLIMETERS [IN].

NOTES: UNLESS OTHERWISE SPECIFIED

REV D DTM13-12P*-12P*-GR01

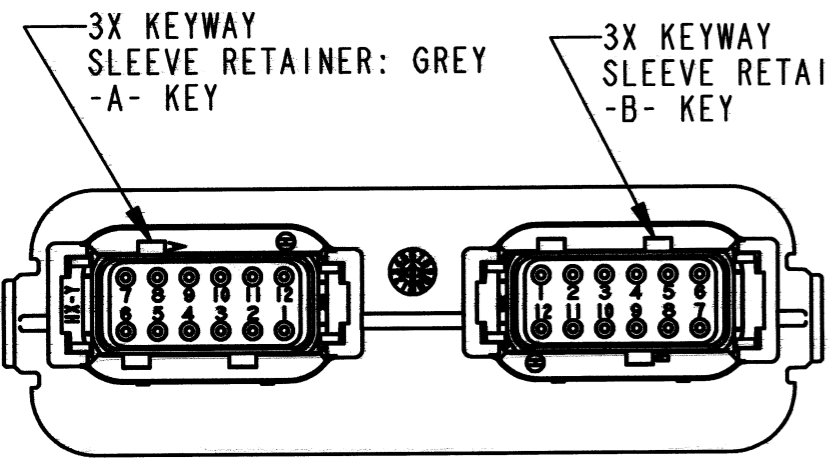
REVISIONS			
SYM	DESCRIPTION	DATE	APPROVED
A	REVISED PER E.O. P18708	7-29-05	R.D.R.
B	REVISED PER E.O. P19335	8-3-06	R.D.R.
C	REVISED PER E.O. P19952	7/30/08	RDR
D	REVISED PER E.O. P20972	11-7-11	RDR



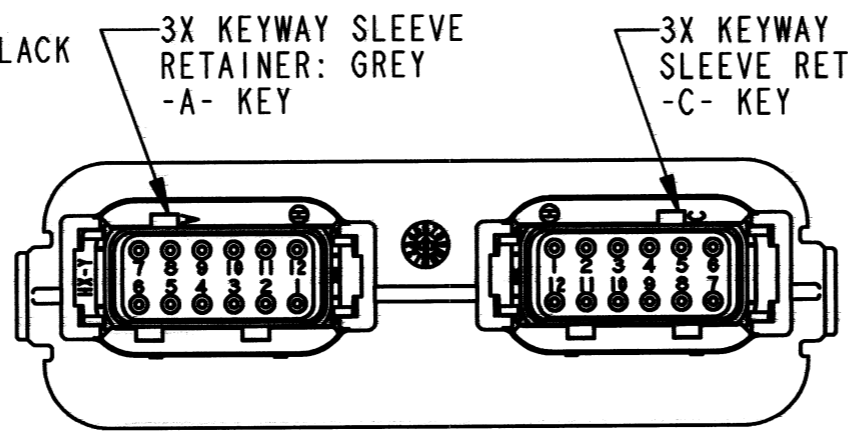
SIGNATURE & DATE		RECEPTACLE 2 x 12 #20 SIZE CONTACTS -GR01 DTM SERIES ENVELOPE	EP 053/105	MATL. CODE
DR	D. MEYER 08/07/03		3850 INDUSTRIAL AVE. HEMET, CA 92545	
CHK	B. Byford 11/07/2011		DEUTSCH INDUSTRIAL	
PE	K. Kueker 9/26/11		B DTM13-12P*-12P*-GR01	
APPD	S. Bando 10/27/11		DWG SIZE	CODE 11139
SCALE	NONE	WT		

REV
D DTM13-12P*12P*-GR01

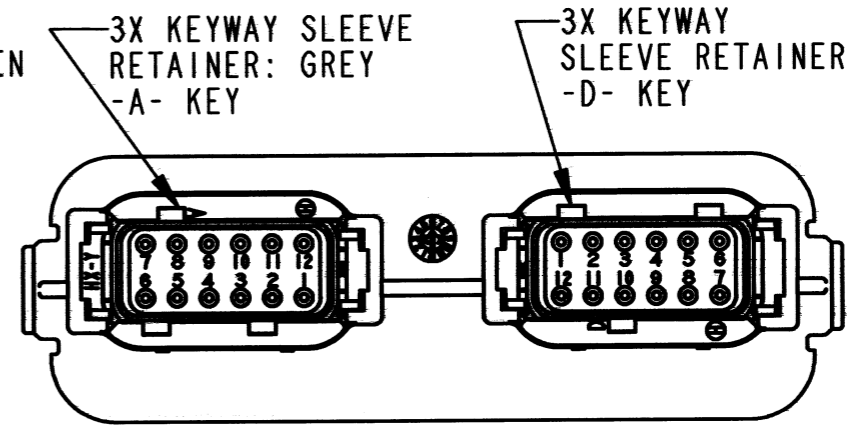
REVISIONS			
SYM	DESCRIPTION	DATE	APPROVED
D	SEE SHEET 1	11-7-11	RDR



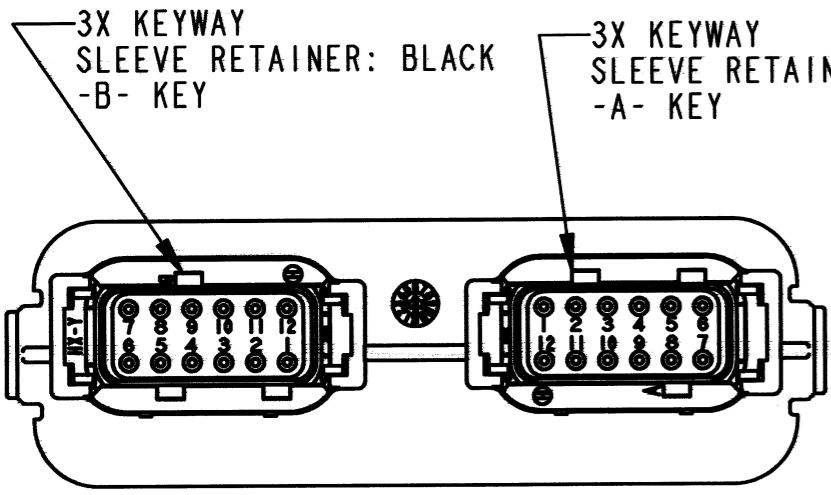
DTM13-12PA-12PB-GR01
KEY -AB-



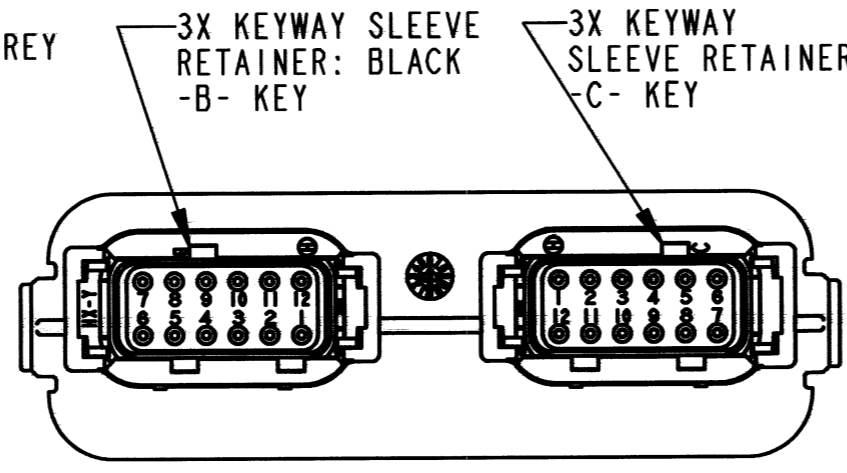
DTM13-12PA-12PC-GR01
KEY -AC-



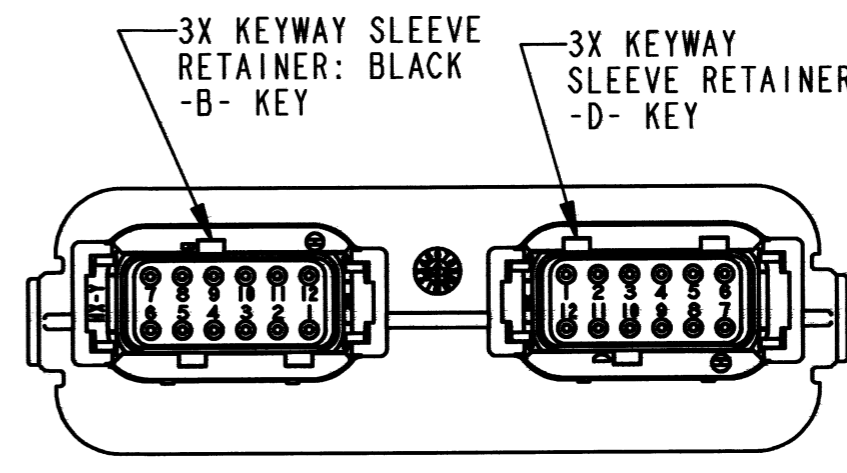
DTM13-12PA-12PD-GR01
KEY -AD-



DTM13-12PB-12PA-GR01
KEY -BA-



DTM13-12PB-12PC-GR01
KEY -BC-



DTM13-12PB-12PD-GR01
KEY -BD-

NOTES:

SIGNATURE & DATE	
DR	D. MEYER 08/07/03
CHK	[Signature] 11/07/2011
PE	[Signature] 9/26/11
APPD	[Signature]
SCALE	NONE WT

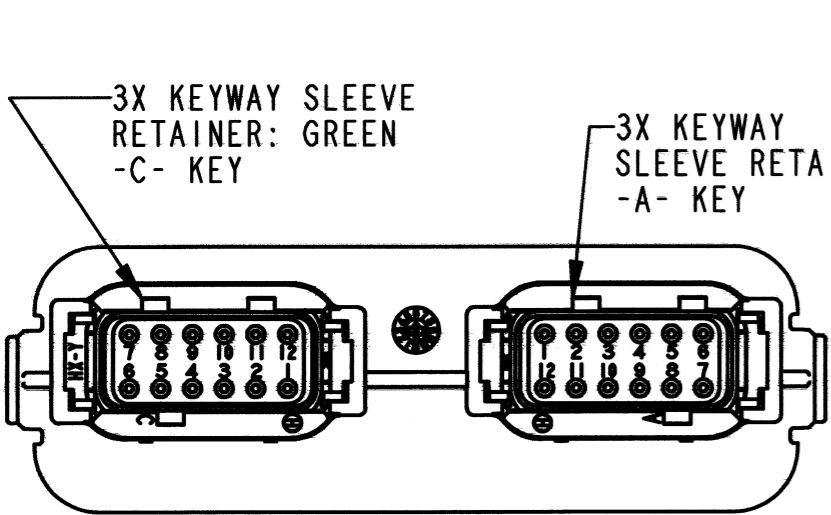
RECEPTACLE
2 x 12 #20 SIZE CONTACTS
-GR01
DTM SERIES

ENVELOPE

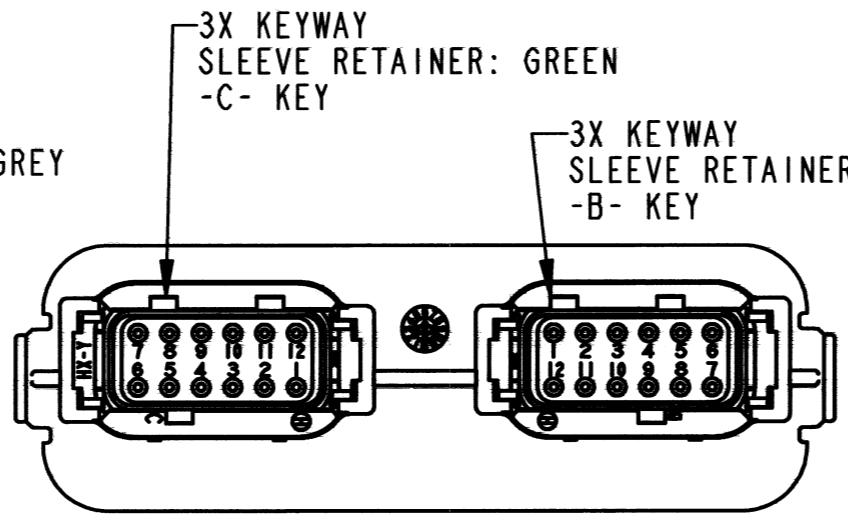
EP	MATL. CODE
3850 INDUSTRIAL AVE. HEMET, CA 92545 DEUSCH INDUSTRIAL	
B	DTM13-12P*12P*-GR01
DWG SIZE	CODE 11139 SHEET 2 OF 3

REV D DTM13-12P*-12P*-GR01

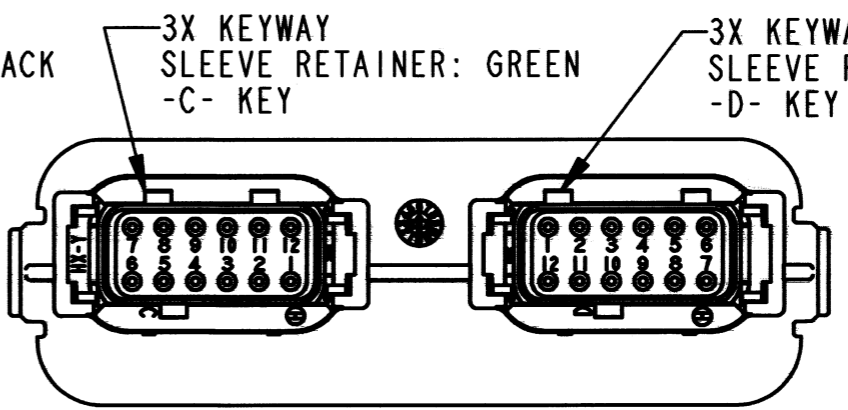
REVISIONS			
SYM	DESCRIPTION	DATE	APPROVED
D	SEE SHEET 1	11-7-11	RDR



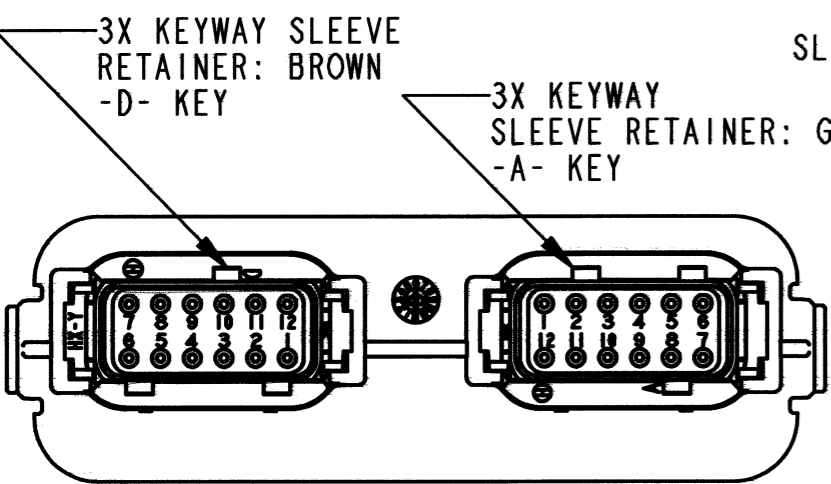
DTM13-12PC-12PA-GR01
KEY -CA-



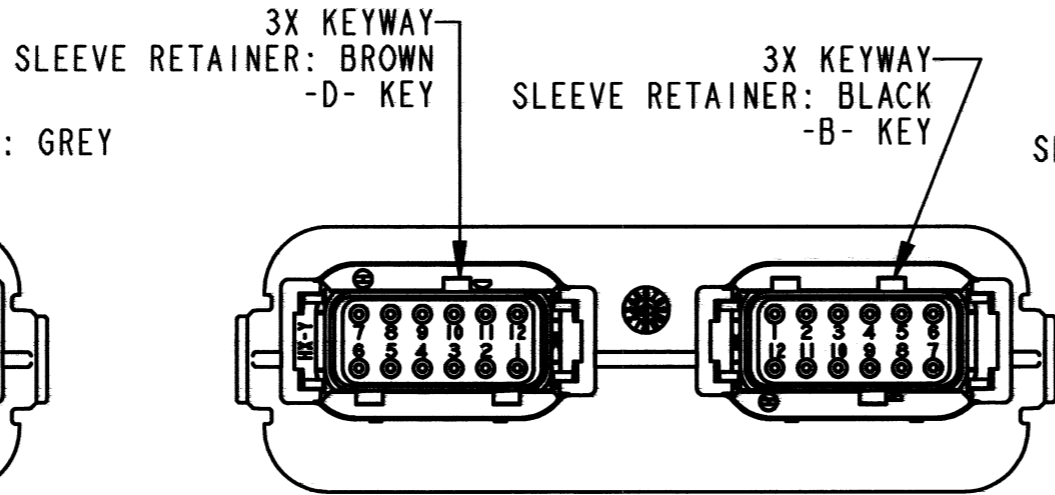
DTM13-12PC-12PB-GR01
KEY -CB-



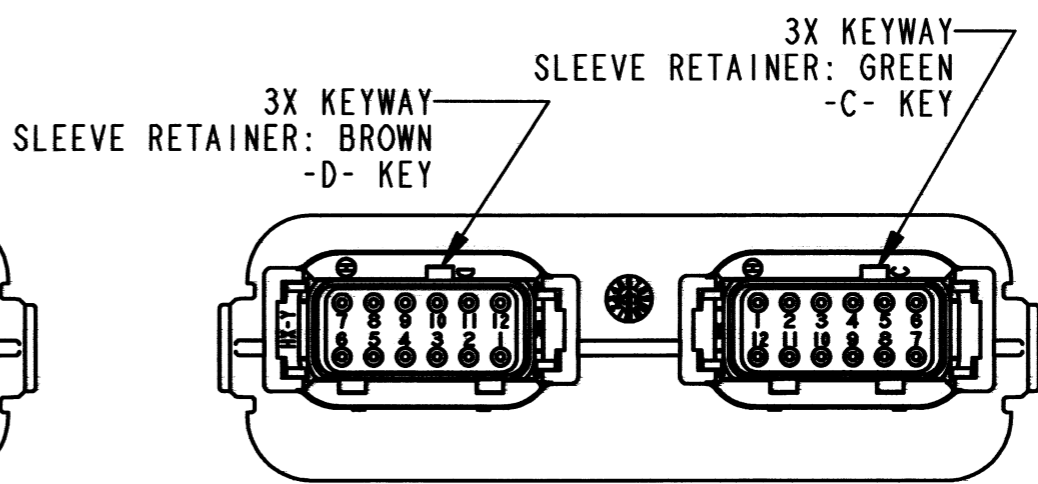
DTM13-12PC-12PD-GR01
KEY -CD-



DTM13-12PD-12PA-GR01
KEY -DA-



DTM13-12PD-12PB-GR01
KEY -DB-



DTM13-12PD-12PC-GR01
KEY -DC-

NOTES:

SIGNATURE & DATE	
DR	D. MEYER 08/07/03
CHK	<i>[Signature]</i> 11/07/2011
PE	<i>[Signature]</i> 11/07/11
APPD	<i>[Signature]</i> 11/7/11
SCALE	NONE WT

RECEPTACLE
2 x 12 #20 SIZE CONTACTS
-GR01
DTM SERIES

ENVELOPE

EP	MATL. CODE
3850 INDUSTRIAL AVE. HEMET, CA 92545 DEUTSCH INDUSTRIAL	
B	DTM13-12P*-12P*-GR01
DWG SIZE	CODE 11139 SHEET 3 OF 3

